

Expanded Check Valves

Four varieties of check valves are offered by Clippard. Each permits flow in one direction only. All have brightdipped brass bodies that provide inline mounting, Nitrile seals and stainless steel springs as standard. The M-MCV-2 has M5 ports and a “duckbill” seal. The MCV-1 series has M5 ports and a brass poppet. The M-MJCV-1 series has G1/8 ports and a Zytel 80G33 poppet.

Medium:
Air or Hydraulic

Mounting:
Direct or in-line

Input Pressure:
21 bar max.
(MJCV Series: 70 bar hydraulic max.)

Flow Direction:
Arrow on valve
body indicates direction of flow.


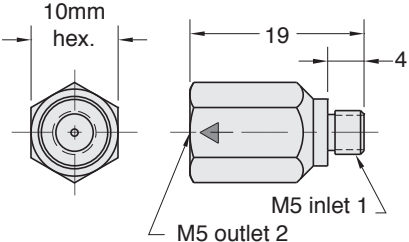
Pressure To Open:
Cracks at approx.: 35 mbar

Temperature Range:
0 to 110°C

Materials:
Brass body, Nitrile seals, stainless steel stem and spring

Note:
Not intended for pressure relief



M5 Ports	
	

Part No.
M-MCV-1

Air Flow:
185 L/min @ 3.5 bar;
325 L/min @ 7 bar

